

UNILIFT KP 150, KP 250, KP 350

Installation and operating instructions



UNILIFT KP 150, KP 250, KP 350

Installation and operating instructions

Other languages

<http://net.grundfos.com/qr/i/96894217>

UNILIFT KP 150, KP 250, KP 350

English (GB)	
Installation and operating instructions	5
Български (BG)	
Упътване за монтаж и експлоатация	24
Čeština (CZ)	
Montážní a provozní návod	46
Deutsch (DE)	
Montage- und Betriebsanleitung	63
Dansk (DK)	
Monterings- og driftsinstruktion	85
Eesti (EE)	
Paigaldus- ja kasutusjuhend	104
Español (ES)	
Instrucciones de instalación y funcionamiento	122
Suomi (FI)	
Asennus- ja käyttöohjeet	141
Français (FR)	
Notice d'installation et de fonctionnement	158
Ελληνικά (GR)	
Οδηγίες εγκατάστασης και λειτουργίας	178
Hrvatski (HR)	
Montažne i pogonske upute	200
Magyar (HU)	
Telepítési és üzemeltetési utasítás	217
Italiano (IT)	
Istruzioni di installazione e funzionamento	237
Lietuviškai (LT)	
Įrengimo ir naudojimo instrukcija	257
Latviešu (LV)	
Uzstādīšanas un ekspluatācijas instrukcija	275
Nederlands (NL)	
Installatie- en bedieningsinstructies	293
Polski (PL)	
Instrukcja montażu i eksploatacji	313

Português (PT)	
Instruções de instalação e funcionamento	334
Română (RO)	
Instrucțiuni de instalare și utilizare	354
Srpski (RS)	
Uputstvo za instalaciju i rad	373
Svenska (SE)	
Monterings- och driftsinstruktion	391
Slovensko (SI)	
Navodila za montažo in obratovanje	410
Slovenčina (SK)	
Návod na montáž a prevádzku	427
Türkçe (TR)	
Montaj ve kullanım kılavuzu	446
Українська (UA)	
Інструкції з монтажу та експлуатації	465
中文 (CN)	
安装和使用说明书	487
Bahasa Indonesia (ID)	
Petunjuk pengoperasian dan pemasangan	500
Macedonian (MK)	
Упатства за монтирање и ракување	519
(AR) العربية	
تعليمات التركيب و التشغيل	541
Appendix A	556

English (GB) Installation and operating instructions

Original installation and operating instructions

Table of contents

1. General Information	5
1.1 Hazard statements	5
1.2 Notes	6
2. Receiving the product	6
2.1 Inspecting the product	6
3. Installing the product	6
3.1 Location	6
3.2 Mechanical installation	7
3.3 Electrical connection	10
4. Starting up the product	12
4.1 UNILIFT KP-A	12
4.2 UNILIFT KP-AV	12
4.3 UNILIFT KP-M	12
5. Product introduction	13
5.1 Intended use	13
5.2 Pumped liquids	13
5.3 Identification	14
6. Servicing the product	15
6.1 Maintaining the product	15
6.2 Cleaning the pump	15
6.3 Service kits	18
6.4 Contaminated pumps	19
7. Fault finding the product	20
8. Technical data	22
8.1 Storage temperature	22
8.2 Operating conditions	22
8.3 Sound pressure level	22
9. Disposing of the product	23

1. General Information



Read this document before you install the product. Installation and operation must comply with local regulations and accepted codes of good practice.



Read this document and the online version of the installation and operating instructions before installing the product. Installation and operation must comply with local regulations and accepted codes of good practice.



This appliance can be used by children aged from 8 years and above and persons with reduced physical, sensory or mental capabilities or lack of experience and knowledge if they have been given supervision or instruction concerning use of the appliance in a safe way and understand the hazards involved.

Children shall not play with the appliance.

Cleaning and user maintenance shall not be made by children without supervision.

1.1 Hazard statements

The symbols and hazard statements below may appear in Grundfos installation and operating instructions, safety instructions and service instructions.



DANGER

Indicates a hazardous situation which, if not avoided, will result in death or serious personal injury.



WARNING

Indicates a hazardous situation which, if not avoided, could result in death or serious personal injury.



CAUTION

Indicates a hazardous situation which, if not avoided, could result in minor or moderate personal injury.

The hazard statements are structured in the following way:



SIGNAL WORD

Description of the hazard

Consequence of ignoring the warning

- Action to avoid the hazard.

1.2 Notes

The symbols and notes below may appear in Grundfos installation and operating instructions, safety instructions and service instructions.



Observe these instructions for explosion-proof products.



A blue or grey circle with a white graphical symbol indicates that an action must be taken.



A red or grey circle with a diagonal bar, possibly with a black graphical symbol, indicates that an action must not be taken or must be stopped.



If these instructions are not observed, it may result in malfunction or damage to the equipment.



Tips and advice that make the work easier.

2. Receiving the product

WARNING

Falling objects

Death or serious personal injury



- Keep the product in a stable position during unpacking.
- Wear personal protective equipment.

2.1 Inspecting the product

Check that the product received is in accordance with the order.

Check that the voltage and frequency of the product match voltage and frequency of the installation site.

3. Installing the product

CAUTION

Toxic material

Minor or moderate personal injury



- The product will be classified as contaminated if used for a liquid which is injurious to health or toxic.
- Wear personal protective equipment.



Installation must be carried out by specially trained persons and according to local regulations.



According to EN 60335-2-41/A2:2010, this product with 5 m of mains cable may be used only for indoor applications.

3.1 Location

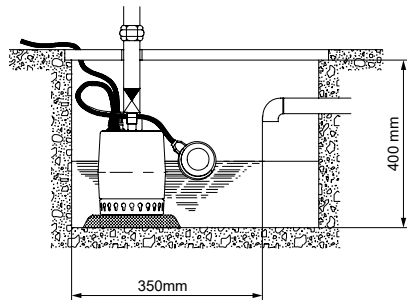


Always have at least 3 m free cable above liquid level. This limits the installation depth to 7 m for pumps with 10 m cable and to 2 m for pumps with 5 m cable.

3.1.1 Minimum space for UNILIFT KP-A

The pit, basin or tank must be sized according to the relation between the water flow to the pit, basin or tank and the pump performance.

When the pump is installed in a permanent installation with a float switch, the minimum dimensions of the pit, basin or tank must be as shown in fig. *Minimum installation dimensions, UNILIFT KP-A* to ensure free movability of the float switch. The float switch is set to the minimum free cable length. See section *Start and stop levels*.



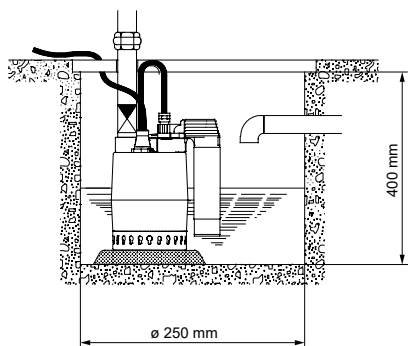
Minimum installation dimensions, UNILIFT KP-A

Related information

[3.2.5 Start and stop levels](#)

3.1.2 Minimum space for UNILIFT KP-AV

For pumps with a vertical level switch, the minimum installation dimensions of the pit, basin or tank must be as shown in fig. *Minimum installation dimensions, UNILIFT KP-AV*.



TM011109

Minimum installation dimensions, UNILIFT KP-AV

3.1.3 Minimum space for UNILIFT KP-M

The pump requires no more space than the physical dimensions of the pump. See *UNILIFT KP-AV UNILIFT KP-M* in the Appendix.

3.2 Mechanical installation

⚠ DANGER

Electric shock

Death or serious personal injury

- Switch off the power supply before starting any work on the product.
- Make sure that the power supply cannot be accidentally switched on.



⚠ CAUTION

Sharp element

Minor or moderate personal injury

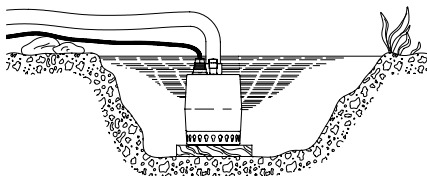
- Wear personal protective equipment.
- Make sure that persons cannot come into contact with the pump impeller.



Do not install the pump hanging from the electric cable or the outlet pipe.

3.2.1 Foundation

Place the pump on a plate or on bricks so that the inlet strainer is free of sludge, mud or similar materials. See fig. *Pump placed on a plate*.



TM001549

Pump placed on a plate

3.2.2 Lifting the pump



Do not pull or lift the product by the power cable.

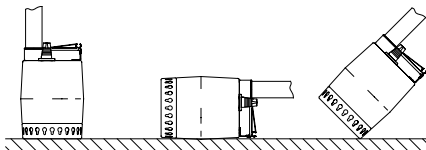
Lift the pump using the pump handle. Do not lift the pump by the power cable or by the outlet pipe or hose.

If the pump is installed in a well or tank, lower and lift it by means of a wire or chain fastened to the pump handle.

3.2.3 Positioning the pump

UNILIFT KP-A and UNILIFT KP-M can be used in vertical position with the outlet pointing upwards. The pumps may also be used in horizontal or tilted position with the outlet as the highest point. See fig. *How to position UNILIFT KP-A and UNILIFT KP-M*.

During operation, the inlet strainer must always be completely covered by the pumped liquid.



TM001548

How to position UNILIFT KP-A and UNILIFT KP-M



Always place Unillift KP-AV in vertical position.

When the pipe or hose has been connected, place the pump in its operating position.

Position the pump so that the pump inlet will not be blocked or partly blocked by sludge, mud or similar materials.

In the case of permanent installation, the pit must be cleared of sludge, pebbles, etc. before the pump is installed.

3.2.4 Pipe connection

Fit the outlet pipe or hose in the Rp 1 1/4 outlet. Steel pipes can be screwed directly into the pump outlet.

In a permanent installation, fit a union to the outlet pipe to facilitate mounting and removal. If a hose is used, fit a hose union.

In a permanent installation with a level switch, fit a non-return valve to the outlet pipe or hose.

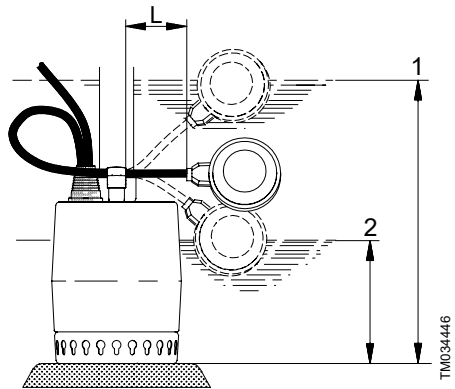
3.2.5 Start and stop levels

UNILIFT KP-A

For pumps supplied with a float switch, the difference in level between start and stop can be adjusted by changing the free cable length between the float switch and the pump handle.

- An increased free cable length will result in fewer starts and stops and a large difference in level.
- A reduced free cable length will result in more frequent starts and stops and a small difference in level.

The stop level must be above the pump inlet to prevent the pump from taking in air.



Start and stop levels, UNILIFT KP-A

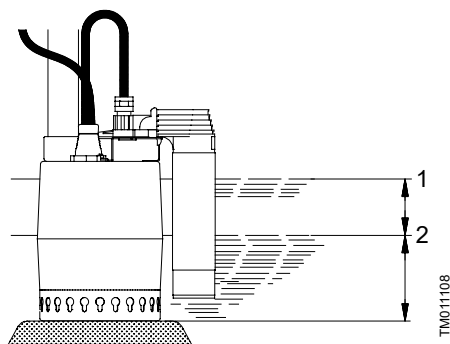
Pos.	Description
1	Start
2	Stop

UNILIFT KP-A start and stop levels

Pump type	Minimum cable length (L): 70 mm		Maximum cable length (L): 150 mm	
	Start [mm]	Stop [mm]	Start [mm]	Stop [mm]
KP 150 A	290	140	335	100
KP 250 A				
KP 350 A	300	150	345	110

UNILIFT KP-AV

The level difference for pumps with a vertical level switch cannot be adjusted. Start and stop levels appear from fig. *Start and stop levels, UNILIFT KP-AV*.



Start and stop levels, UNILIFT KP-AV

Pos.	Description
1	Start
2	Stop

Pump type	Vertical level switch	
	Start [mm]	Stop [mm]
UNILIFT KP 150 AV	180	100
UNILIFT KP 250 AV		
UNILIFT KP 350 AV	190	110

3.3 Electrical connection

DANGER

Electric shock

Death or serious personal injury



- Switch off the power supply before you start any work on the product.
- Make sure that the power supply cannot be switched on accidentally.

DANGER

Electric shock

Death or serious personal injury



- The installation must be fitted with a residual-current device (RCD) with a tripping current less than 30 mA.

DANGER

Electric shock

Death or serious personal injury



- Make sure that the power supply plug delivered with the product is in compliance with local regulations.
- The plug must have the same protective earth (PE) connection system as the power outlet. If not, use a suitable adapter if allowed by local regulations.

DANGER

Electric shock

Death or serious personal injury



- Power cables without a plug must be connected to a supply disconnecting device incorporated in the fixed wiring according to the local wiring rules.



All electrical connections must be carried out by a qualified person in accordance with local regulations.



Depending on local regulations, a pump with minimum 10 m of mains cable must be used if the pump is used as a portable pump for different applications.

Make sure that the product is suitable for the supply voltage and frequency available at the installation site. Voltage and frequency are marked on the pump nameplate.

The pump must be connected to an external main switch. If the pump is not installed close to the switch, the switch must be of a lockable type.

Three-phase pumps must be connected to an external motor-protective circuit breaker. The rated current of the motor-protective circuit breaker must correspond to the electrical data marked on the pump nameplate.

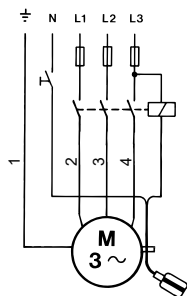
If a level switch is connected to a three-phase pump, the motor-protective circuit breaker must be magnetically operated.

Single-phase and three-phase pumps incorporate thermal overload protection and require no additional motor protection. Except for UNILIFT KP 350, 3 x 200 V, 50 Hz, which must be connected to a motor-protective circuit breaker.



If the motor is overloaded, it will stop automatically. When the motor has cooled to normal temperature, it restarts automatically.

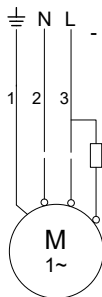
Three-phase pumps with a float switch, UNILIFT KP-A, must be connected to the mains supply by means of a contactor. See the figure below.



TM002011

Wiring diagram

Pos.	Description
1	Yellow and green
2	Grey
3	Brown
4	Black



TM1040337

Wiring diagram

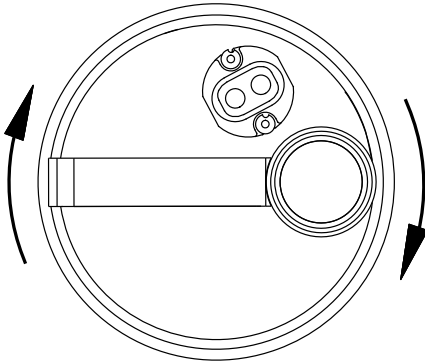
Pos.	Description
1	Yellow and green
2	Blue
3	Brown

3.3.1 Checking the direction of rotation

Three-phase pumps only

Check the direction of rotation every time the pump is connected to a new installation.

1. Place the pump on a plane surface.
2. Start and stop the pump.
3. Observe the pump when started. If the pump gives a slight clockwise jerk, see fig. *Direction of rotation*, the direction of rotation of the motor is correct. If the jerk is counter-clockwise, interchange two phases in the mains connection.



TM034482

Direction of rotation

If the pump is connected to a pipe system, check the direction of rotation in this way:

1. Start the pump and check the quantity of water.
2. Stop the pump and interchange two phases in the mains connection.
3. Start the pump and check the quantity of water.
4. Stop the pump.
5. Compare the results taken under points 1 and 3. The largest quantity of water indicates the correct direction of rotation.

4. Starting up the product

DANGER

Electric shock

Death or serious personal injury

- Do not use the pump in swimming pools, garden ponds or similar places if there are people in the water.



The pump may be run briefly to check the direction of rotation without being submerged in the pumped liquid.

1. Before starting the pump, check that the inlet strainer is fitted to the pump and submerged in the pumped liquid.
2. Open the isolating valve, if fitted, and check the level switch setting.

4.1 UNILIFT KP-A

The pump will start and stop automatically, depending on the liquid level and the cable length of the float switch.

Forced operation

If the pump is used for draining liquid below the stop level of the float switch, the float switch can be held in a higher position by fastening it to the outlet pipe.

During forced operation, check the liquid level regularly to avoid dry running.

4.2 UNILIFT KP-AV

The pump starts and stops automatically depending on the liquid level.

4.3 UNILIFT KP-M

The pump is started and stopped via an external switch.

To avoid dry running, check the liquid level regularly during operation, for instance via external level monitoring.

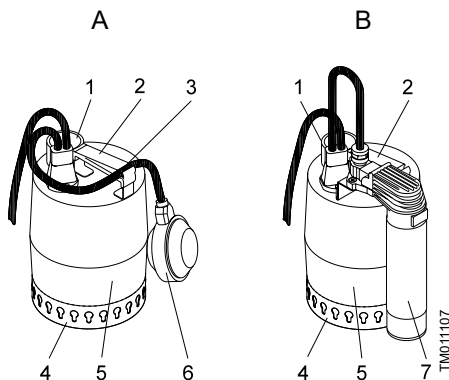
To enable the pump to self-prime during startup, the liquid level must be at least 30 mm.

The pump can pump down to a liquid level of 15 mm.

5. Product introduction

Grundfos UNILIFT KP pumps are available in these versions:

- | | |
|-----------------|---|
| • UNILIFT KP-A | Automatic start/stop operation via a float switch. |
| • UNILIFT KP-AV | Automatic start/stop operation via a vertical level switch. |
| • UNILIFT KP-M | Manual operation via an external on/off switch, without a level switch. |



Pumps with a level switch

Pos.	Description
A	UNILIFT KP-A with float switch
B	UNILIFT KP-AV with vertical level switch
1	Outlet, Rp 1 1/4
2	Handle
3	Cable clamp
4	Inlet strainer
5	Pump sleeve
6	Float switch
7	Vertical level switch

5.1 Intended use

The Grundfos UNILIFT KP pump is a single-stage submersible pump designed for pumping grey wastewater, that is, wastewater from showers, sinks, washing machines, etc.

The pump is capable of pumping water which contains a limited quantity of solids, however not stones and similar materials, without being blocked or damaged.

The pump is available for automatic as well as manual operation and can be installed in a permanent installation or used as a portable pump.

Applications	KP 150	KP 250	KP 350
Drainage of flooded cellars or buildings	•	•	•
Groundwater lowering	•	•	•
Pumping of water from drain water collecting tanks and pits	•	•	•
Pumping of water from surface water tanks and pits with inflow from roof gutters, shafts, tunnels, etc.	•	•	•
Emptying and filling of swimming pools, ponds, tanks, etc.	•	•	•
Pumping of wastewater from washing machines, baths, sinks, etc. from cellars up to sewer level	•	•	•

Incorrect application of the pump, for example resulting in blocking of the pump, and wear are not covered by the warranty.

5.2 Pumped liquids

The pump is capable of pumping wastewater containing a limited quantity of spherical particles. Pumping of spherical particles exceeding the maximum particle size for the pump may block or damage the pump.

Maximum particle size: See section [8.1 Storage temperature](#).

The pump is not suitable for these liquids:

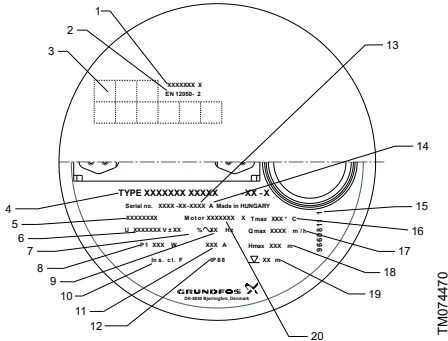
- sewage
- liquids containing long fibres
- flammable liquids (oil, petrol, etc.)
- aggressive liquids
- liquids containing solids exceeding the pump's recommended maximum particle size.



The pump contains approx. 70 ml of non-toxic motor liquid which will be mixed with the pumped liquid in case of a leak.

5.3 Identification

5.3.1 Nameplate



Nameplate example

Pos.	Description
1	ID number for Safety Instruction
2	ID number for EN standards
3	Approvals
4	Product type
5	Product number
6	Supply voltage [V]
7	Voltage tolerance [%]
8	Power input [W]
9	Frequency [Hz]
10	Insulation class
11	Max. current [A]
12	Enclosure class
13	Factory code and production code (year and week)
14	Model
15	Nameplate layout
16	Max. liquid temperature [°C]
17	Max. flow rate [m ³ /h]
18	Max. head [m]
19	Max. installation depth [m]
20	Motor number

5.3.2 Type key

Example: UNILIFT KP 150 A 1

Code	Explanation	Designation
UNILIFT KP	Type range	
150		Rated motor output, P ₂ [W]
250		
350		
A	Automatic operation with float switch	
AV	Automatic operation with vertical level switch	Level control
M	Manual operation without level switch	
1	Single-phase	Motor
3	Three-phase	

6. Servicing the product

DANGER

Electric shock

Death or serious personal injury



- Switch off the power supply before starting any work on the product.
- Make sure that the power supply cannot be accidentally switched on.

CAUTION

Sharp element

Minor or moderate personal injury



- Wear personal protective equipment.

CAUTION

Toxic material

Minor or moderate personal injury



- The product will be classified as contaminated if it has been used for a liquid which is injurious to health or toxic.
- Wear personal protective equipment.

CAUTION

Biological hazard

Minor or moderate personal injury



- Flush the product thoroughly with clean water and rinse the parts in water after dismantling.
- Wear personal protective equipment.



If the power cable or the level switch is damaged, it must be replaced by a service workshop authorised by Grundfos.



Service must be carried out by specially trained persons.

Furthermore, all rules and regulations covering safety, health and environment must be observed.

1. If the pump has been used for liquids other than clean water, flush the pump thoroughly with clean water before carrying out maintenance and service.
2. Rinse the pump parts in water after dismantling.

6.1 Maintaining the product

Under normal operating conditions, the pump is maintenance-free.

If the pump has been used for liquids other than clean water, flush it through with clean water immediately after use.

If the pump delivers too little water due to deposits or the like, dismantle and clean the pump.



The pump contains approx. 70 ml of non-toxic motor liquid which will be mixed with the pumped liquid in case of a leak.

6.2 Cleaning the pump



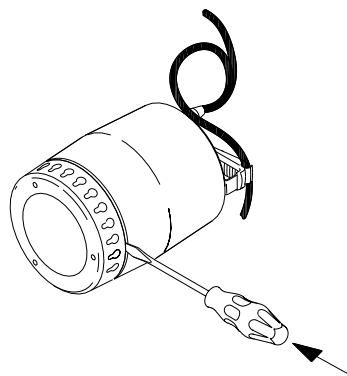
The inlet strainer and the pump housing can be dismantled by untrained persons.

Further dismantling of the pump must be carried out by a specially trained person.

If the pump delivers too little water due to deposits or the like, dismantle and clean the pump.

6.2.1 Cleaning the inlet strainer

1. Disconnect the power supply.
2. Drain the pump.
3. Carefully loosen the inlet strainer by inserting a screwdriver in the recess between the pump sleeve and the strainer. Use the screwdriver to push apart the outer casing and the strainer. Repeat the procedure, working around the pump, until the strainer is free and can be removed. See fig. [How to remove the inlet strainer](#).



How to remove the inlet strainer

4. Remove the inlet strainer, clean and refit it.

TM031167

6.2.2 Cleaning the inside of the pump

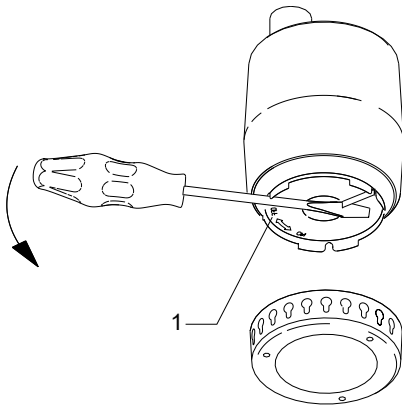


Before and during the mounting of the pump housing, check that the sealing part is fitted correctly. See fig. *Service parts*.

Moisten the sealing part with water to ease the fitting.

If the pump still delivers too little water, dismantle the pump further.

1. Disconnect the power supply.
2. Remove the inlet strainer. See point 3 above.
3. Turn the pump housing 90° counterclockwise using a screwdriver. See the arrow on the pump housing.
4. Pull off the pump housing. See the figure below.

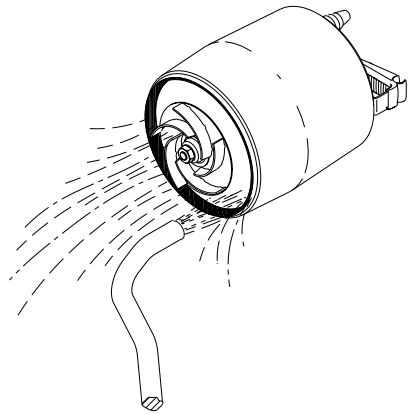


TM031168

How to remove the pump housing

Pos.	Description
1	Pump housing

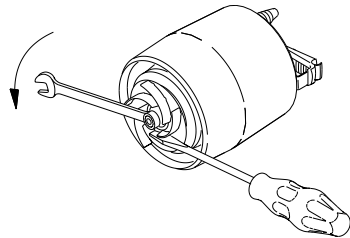
5. Clean and flush the inside of the pump to remove possible impurities between the motor and pump sleeve.
6. Clean the impeller. See the figure below.



TM031169

How to flush the impeller

7. Check that the impeller can rotate freely. If not, remove the impeller as described below.
8. Unscrew the nut, cross width 13 mm, from the motor shaft. Use a screwdriver to prevent the impeller from rotating. See the figure below.



TM031170

How to remove the impeller

9. Clean the impeller and the area around the shaft.
10. Check the impeller, the pump housing and the sealing part. If necessary, replace defective parts.



Further dismantling of the pump must be carried out by a specially trained person.

Related information

[6.3 Service kits](#)

6.2.3 Assembling the pump

Assemble the pump in the reverse order of dismantling.

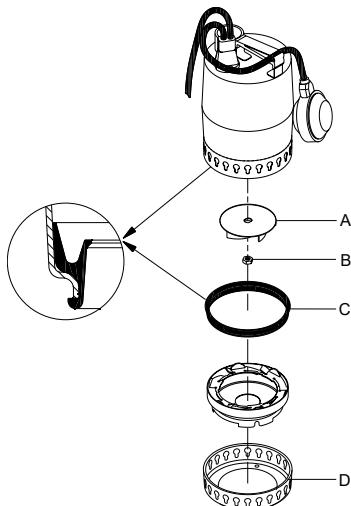
6.3 Service kits

The impeller, the inlet strainer and the non-return valve are replaceable.

Order numbers for the ordering of service kits and contents of service kits appear from the tables below and fig. [Service parts](#).

Pump type	Part number
Impeller kit	
UNILIFT KP 150	015778
UNILIFT KP 250	015779
UNILIFT KP 350	015787
Inlet strainer	
UNILIFT KP 150	
UNILIFT KP 250	96548064
UNILIFT KP 350	96548066
Non-return valve	
UNILIFT KP 150	
UNILIFT KP 250	15220
UNILIFT KP 350	

Service kits	Pos.	Designation	Quantity
Impeller kit	A	Impeller	1
	B	Nut	1
	C	Sealing part	1
Inlet strainer	D	Inlet strainer	1



TM031166

If other pump components are damaged or defective, contact the pump supplier.

Service parts

6.4 Contaminated pumps



If the power cable or the level switch is damaged, it must be replaced by a service workshop authorised by Grundfos.

CAUTION

Biological hazard

Minor or moderate personal injury



- Flush the product thoroughly with clean water and rinse the parts in water after dismantling.
- Wear personal protective equipment.

The product will be classified as contaminated if it has been used for a liquid which is injurious to health or toxic.

If you request Grundfos to service the product, contact Grundfos with details about the pumped liquid before returning the product for service. Otherwise, Grundfos can refuse to accept the product for service.

Any application for service must include details about the pumped liquid.

Clean the product in the best possible way before you return it.

Costs of returning the product are to be paid by the customer.

7. Fault finding the product



DANGER

Electric shock

Death or serious personal injury

- Before starting any work on the product, make sure that the power supply has been switched off and that it cannot be accidentally switched on.



CAUTION

Sharp element

Minor or moderate personal injury

- Wear personal protective equipment.



CAUTION

Toxic material

Minor or moderate personal injury

- The product will be classified as contaminated if it has been used for a liquid which is injurious to health or toxic.
- Wear personal protective equipment.

Fault	Cause	Remedy
The motor does not start.	No power supply.	Connect the power supply.
	The pump was stopped by the level switch.	UNILIFT KP-A: Adjust or replace the level switch.
	The fuses have blown.	Replace the fuses.
	The motor protection or thermal relay has tripped.	Wait until the motor protection trips in again or reset the relay.
	The impeller is blocked by impurities.	Clean the impeller.
	Short circuit in the cable or motor.	Replace the defective part.
The motor protection or thermal relay trips after a short time of operation.	The liquid temperature is too high.	The pump starts automatically after sufficient cooling. If not, use another pump type. Contact your local Grundfos supplier or sales support.
	The impeller is blocked or partly blocked by impurities.	Clean the pump.
	Phase failure.	Call an electrician.
	Too low voltage.	Call an electrician.
	The overload setting of the motor-protective circuit breaker is too low.	Adjust the setting.
The pump runs constantly or gives too little water.	The pump is partly blocked by impurities.	Clean the pump.
	The outlet pipe or valve is partly blocked by impurities.	Clean the outlet pipe or valve.
	The impeller is not properly fixed to the shaft.	Tighten the impeller.
	Incorrect direction of rotation. See section <i>Checking the direction of rotation</i> .	Reverse the direction of rotation.
	Incorrect setting of the level switch.	Adjust the level switch.
	The pump is too small for the application.	Replace the pump.
The impeller is worn.	Replace the impeller.	

Fault	Cause	Remedy
The pump runs but gives no water.	The pump is blocked by impurities.	Clean the pump.
	The outlet pipe or valve is blocked by impurities.	Clean the outlet pipe or valve.
	The impeller is not properly fixed to the shaft.	Tighten the impeller.
	There is air in the pump.	Vent the pump and the outlet pipe.
	The liquid level is too low. The pump inlet is not completely submerged in the pumped liquid.	Submerge the pump in the liquid or adjust the level switch.
	Pumps with float switch: The float switch does not move freely.	Adjust the float switch. See section Start and stop levels .

Related information

[3.2.5 Start and stop levels](#)

[3.3.1 Checking the direction of rotation](#)

8. Technical data

8.1 Storage temperature

-20 - +70 °C.

8.2 Operating conditions

Installation depth	Maximum 10 m below liquid level
pH value	4-10
Density	Maximum 1100 kg/m ³
Viscosity	Maximum 1 mm ² /s
Maximum particle size	Max. spherical diameter: 10 mm
Technical data	See the pump nameplate.



Make sure that there are minimum 3 m free cable above the liquid level. This limits the maximum installation depth to 7 m for pumps with 10 m cable and to 2 m for pumps with 5 m cable.

8.2.1 Liquid temperature

Minimum 0 °C.

The maximum liquid temperature depends on the rated voltage of the pump. See the table below.

Voltage	Maximum liquid temperature [°C]
1 x 100 V, 50 Hz	35
1 x 110 V, 50 Hz	40
1 x 100-110 V, 50 Hz ¹⁾	40
1 x 220-230 V, 50 Hz	50
1 x 220-240 V, 50 Hz, 50 Hz ¹⁾	40
1 x 230-240 V, 50 Hz	50
1 x 100 V, 60 Hz	35
1 x 115 V, 60 Hz	50 ²⁾
1 x 220 V, 60 Hz	40
3 x 200 V, 50 Hz	35
3 x 380-400 V, 50 Hz ¹⁾	50
3 x 380-415 V, 50 Hz	50
3 x 200 V, 60 Hz	35

At intervals of at least 30 minutes, the pumps may, however, run at maximum 70 °C for periods not exceeding 2 minutes.

¹⁾ Voltage variant for UNILIFT KP 350.

²⁾ KP 350: 45.

8.3 Sound pressure level

The sound pressure level of the pump is lower than the limiting values stated in the EC Council Directive 2006/42/EC relating to machinery.

9. Disposing of the product

This product or parts of it must be disposed of in an environmentally sound way.

1. Use the public or private waste collection service.
2. If this is not possible, contact the nearest Grundfos company or service workshop.



The crossed-out wheeled bin symbol on a product means that it must be disposed of separately from household waste. When a product marked with this symbol reaches its end of life, take it to a collection point designated by the local waste disposal authorities.

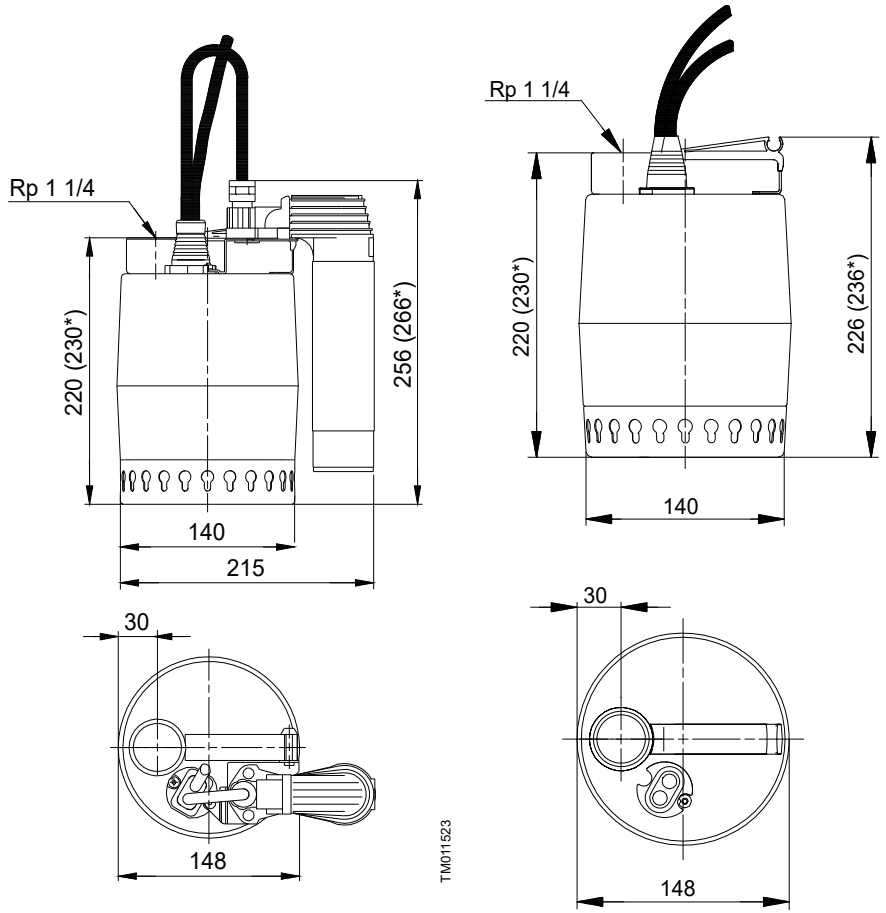
The separate collection and recycling of such products will help protect the environment and human health.

See also end-of-life information at www.grundfos.com/product-recycling.

Appendix A

A.1. Dimensions

A.1.1. UNILIFT KP-AV UNILIFT KP-M



TMO011623

TMO011642

* UNILIFT KP 350

A.2. GRUNDFOS WARRANTY - AUSTRALIA AND NEW ZEALAND

Free from manufacturing defects

1. The relevant Grundfos entity, as specified below, warrants that from the date of purchase and for the period related to the specific product purchased (**Warranty Period**) the products purchased (**Equipment**) by you (**the Customer**) in the relevant country will, with normal use, be free from manufacturing defects and material defects (**Warranty**), subject to the terms set out herein.

FOR EQUIPMENT PURCHASED IN AUSTRALIA: : This Warranty is provided by Grundfos Pumps Pty Ltd (ACN 007920765) of 515 South Road Regency Park SA 5010 PH: (08) 8461 4611 Email: contact-au@grundfos.com (**Grundfos Australia**)

FOR EQUIPMENT PURCHASED IN NEW ZEALAND: This Warranty is provided by Grundfos Pumps NZ Limited (Company number 108507) of 17 Beatrice Tinsley Crescent, Albany, North Shore City, 0632 PH: (09) 41532540 Email: contact-nz@grundfos.com (**Grundfos NZ**).

(In this Warranty references to "**Grundfos**" shall mean either Grundfos Australia or Grundfos NZ, as applicable)

2. The relevant **Warranty Period** varies between different items of Equipment and can be confirmed by your Equipment supplier or by contacting the relevant Grundfos entity at the above address.

Non Transferable

3. This Warranty is non- transferable and only applies to the first person to purchase and to use or install the Equipment.

Conditions

4. The Customer must provide the original proof or purchase for the Equipment.
5. This Warranty only applies where a defect has arisen, wholly or substantially, as a result of faulty manufacture, parts or workmanship and where such defect appears during the Warranty Period.
6. The Warranty does not apply in the following circumstances:
 - a. where the damage arises due to normal wear and tear;
 - b. where the Equipment was not installed in accordance with Grundfos' installation and operating instructions for the Equipment;
 - c. where the Customer failed to specify a site condition or specification at the time of ordering the Equipment, which subsequently affects the operation of the Equipment;
 - d. where damage results because the Equipment is installed to operate at a duty point other than what has been specified at the time of ordering;
 - e. the Equipment has been stored by the Customer prior to installation and operation and such period of storage is not in accordance with the requirements set out in the Equipment's operation and installation manual;
 - f. where the Customer attempts to repair the Equipment;
 - g. where damage is caused by abuse, mishandling or failure to follow operating instructions;
 - h. where the servicing or modification of the Equipment was conducted by someone other than by Grundfos or its authorised service agent; or
 - i. where damage occurs during shipping or other transit.
7. This Warranty does not cover:
 - a. repair of Equipment polluted by poisonous media or other liquids injurious to the environment;
 - b. the cost of disassembly, assembly and installation; or
 - c. the Equipment where protection devices have been installed but have not been used or monitored.

Excluded products

8. This Warranty does not apply to Equipment that Grundfos imports that is not manufactured by Grundfos (or one of its related companies). However:
 - a. **FOR EQUIPMENT PURCHASED IN AUSTRALIA:** The Customer is entitled to the benefit of the warranty provided by the overseas manufacturer of that Equipment (if any), and any rights the Customer may have under the Australian Consumer Law (**ACL**).
 - b. **FOR EQUIPMENT PURCHASED IN NEW ZEALAND:** The Customer is entitled to the benefit of the warranty provided by the overseas manufacturer of that Equipment (if any), and any rights the Customer may have under the Consumer Guarantees Act 1993 (**CGA**) that have not otherwise been lawfully excluded.

Warranty is additional to statutory consumer rights

9. This Warranty is in addition to and does not exclude, restrict or modify in any way any non-excludable statutory rights the Customer may have, including any rights the Customer may have under the ACL or the CGA (as applicable).
10. **FOR EQUIPMENT PURCHASED IN AUSTRALIA:** Grundfos Australia provides the following advice to all Customers who are consumers as defined by the ACL and to whom the ACL applies, as required by the ACL:

Our goods come with guarantees that cannot be excluded under the Australian Consumer Law. You are entitled to a replacement or refund for a major failure and compensation for any other reasonably foreseeable loss or damage. You are also entitled to have the goods repaired or replaced if the goods fail to be of acceptable quality and the failure does not amount to a major failure.
11. **FOR EQUIPMENT PURCHASED IN NEW ZEALAND:** Grundfos NZ provides the following advice to all Customers who are consumers as defined by the CGA and to whom the CGA applies:

Unless the provisions of the CGA have been lawfully excluded, the guarantees and the remedies for failure to comply with those guarantees as set out in the CGA shall apply. Such remedies include the repair or replacement of the Equipment or, where the failure is of a substantial character, the rejection of the Equipment or compensation for the reduction in value of the Equipment. In addition to these remedies, you are also entitled to compensation for reasonably foreseeable loss or damage resulting from the failure.

How to claim

12. Instructions for making a Warranty claim:
 - a. The Customer must inform Grundfos as soon as any Warranty claim arises. The Customer must contact Grundfos:
 - i. in writing, by notice sent to:

FOR EQUIPMENT PURCHASED IN AUSTRALIA:

Grundfos Pumps Pty Ltd
515 South Road, Regency Park, South Australia, 5010;

FOR EQUIPMENT PURCHASED IN NEW ZEALAND:

Grundfos Pumps New Zealand Ltd
17 Beatrice Tinsley Crescent, Albany, North Shore City, 0632; or
 - ii. by returning the item to the place of purchase and requesting them to complete the required documentation (a Goods Return Advice or a Field Warranty Claim Form) and send it to Grundfos.
 - b. The Customer must provide Grundfos with a description of the problem encountered with the Equipment, the Equipment model number, serial number, and date of purchase. Most importantly, the Customer must provide Grundfos the original proof of purchase. The Customer will bear the cost of notifying Grundfos of the Warranty claim.

What Grundfos will do

13. If Grundfos is informed of any claim within the Warranty Period and that claim is within the terms of this Warranty, Grundfos will make arrangements for the service, repair or replacement of the Equipment, at the sole discretion and cost of Grundfos. The Customer will bear the cost of freight and insurance to transport any products to Grundfos, or to the place of purchase (as applicable). Grundfos will bear the cost of freight for the return and dispatch of the repaired or replaced Equipment if the claim is accepted under this Warranty.
14. If a Warranty claim is not accepted, Grundfos will inform the Customer in writing that the Warranty claim was not accepted and the reasons for non-acceptance. The Customer will bear the cost of any freight for the return and dispatch of the Equipment, and the cost of any repairs undertaken by Grundfos if requested by the Customer to do so.

Warranty Periods

Unless otherwise stated below, all Grundfos product comes as standard with a 2 Year Warranty.

1 Year Warranty

- | | | |
|-------------------------------|--------------------------|-------|
| • Start Controllers | • Wellmaster Accessories | • DSA |
| • Grundfos Ultra 6"-12" Ultra | • Dosing accessories | • DSS |
| • Ultra 4" Motor TX & GX | • DSB | • DIA |
| • DIS | • OCD | • UV |
| • DIT | • VGA | |

3 Year Warranty

- | | | |
|------------------|-------|------------------------------|
| • Grundfos SP 4" | • CRI | • Grundfos SP w/MP204 6"-12" |
|------------------|-------|------------------------------|

5 Year Warranty

- | | | |
|------------------|-----------------------------------|-------|
| • Pressure Tanks | • Wellmaster Flexible Rising Main | • CRN |
|------------------|-----------------------------------|-------|

10 Year Warranty

- Fixed Solar Array

25 Year Linear Performance Warranty

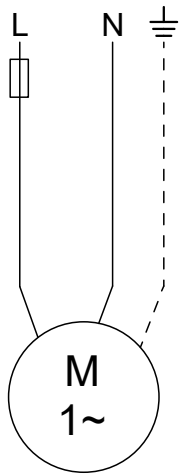
- Solar Modules

A.3. Argentinian supplement sheet

Only for Argentinian market // Solo para el mercado argentino:

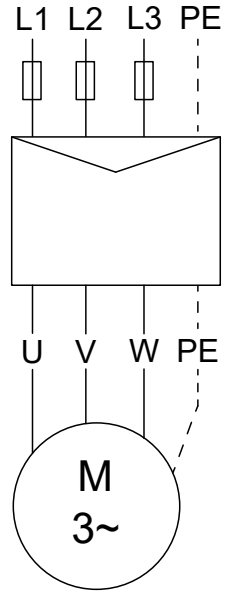
La bomba UNILIFT AP(B)/KP está determinada para instalaciones fijas y debe conectarse a una bornera o un tablero Grundfos modelo LCD108.

Bomba monofásica:



- Cable marrón: LINEA
- Cable celeste: NEUTRO
- Cable verde/amarillo: TIERRA

Bomba trifásica:



- Cable marrón: L1
- Cable celeste o gris: L2
- Cable negro: L3
- Cable verde/amarillo: TIERRA (PE)

Argentina

Bombas GRUNDFOS de Argentina S.A.
Ruta Panamericana km. 37.500/Industin
1619 - Garin Pcia. de B.A.
Tel.: +54-3327 414 444
Fax: +54-3327 45 3190

Australia

GRUNDFOS Pumps Pty. Ltd.
P.O. Box 2040
Regency Park
South Australia 5942
Tel.: +61-8-8461-4611
Fax: +61-8-8340-0155

Austria

GRUNDFOS Pumpen Vertrieb
Ges.m.b.H.
Grundfosstraße 2
A-5082 Grödig/Salzburg
Tel.: +43-6246-883-0
Fax: +43-6246-883-30

Belgium

N.V. GRUNDFOS Bellux S.A.
Boomssesteenweg 81-83
B-2630 Aartselaar
Tel.: +32-3-870 7300
Fax: +32-3-870 7301

Belarus

Представительство ГРУНДФОС в
Минске
220125, Минск
ул. Шафарнянская, 11, оф. 56, БЦ
«Порт»
Тел.: +375 17 397 397 3
+375 17 397 397 4
Факс: +375 17 397 397 1
E-mail: minsk@grundfos.com

Bosnia and Herzegovina

GRUNDFOS Sarajevo
Zmaja od Bosne 7-7A
BiH-71000 Sarajevo
Tel.: +387 33 592 480
Fax: +387 33 590 465
www.ba.grundfos.com
E-mail: grundfos@bih.net.ba

Brazil

BOMBAS GRUNDFOS DO BRASIL
Av. Humberto de Alencar Castelo
Branco, 630
CEP 09850 - 300
São Bernardo do Campo - SP
Tel.: +55-11 4393 5533
Fax: +55-11 4343 5015

Bulgaria

Grundfos Bulgaria EOOD
Slatina District
Iztochna Tangenta street no. 100
BG - 1592 Sofia
Tel.: +359 2 49 22 200
Fax: +359 2 49 22 201
E-mail: bulgaria@grundfos.bg

Canada

GRUNDFOS Canada inc.
2941 Brighton Road
Oakville, Ontario
L6H 6C9
Tel.: +1-905 829 9533
Fax: +1-905 829 9512

China

GRUNDFOS Pumps (Shanghai) Co. Ltd.
10F The Hub, No. 33 Suhong Road
Minhang District
Shanghai 201106 PRC
Tel.: +86 21 612 252 22
Fax: +86 21 612 253 33

Colombia

GRUNDFOS Colombia S.A.S.
Km 1.5 via Siberia-Cota Conj. Potrero
Chico,
Parque Empresarial Arcos de Cota Bod.
1A.
Cota, Cundinamarca
Tel.: +57(1)-2913444
Fax: +57(1)-8764586

Croatia

GRUNDFOS CROATIA d.o.o.
Buzinski prilaz 38, Buzin
HR-10010 Zagreb
Tel.: +385 1 6595 400
Fax: +385 1 6595 499
www.hr.grundfos.com

Czech Republic

GRUNDFOS Sales Czechia and Slovakia
s.r.o.
Čajkovského 21
779 00 Olomouc
Tel.: +420-585-716 111

Denmark

GRUNDFOS DK A/S
Martin Bachs Vej 3
DK-8850 Bjerringbro
Tel.: +45-87 50 50 50
Fax: +45-87 50 51 51
E-mail: info_GDK@grundfos.com
www.grundfos.com/DK

Estonia

GRUNDFOS Pumps Eesti OÜ
Peterburi tee 92G
11415 Tallinn
Tel.: + 372 606 1690
Fax: + 372 606 1691

Finland

OY GRUNDFOS Pumput AB
Trukkikuja 1
FI-01360 Vantaa
Tel.: +358-(0) 207 889 500

France

Pompes GRUNDFOS Distribution S.A.
Parc d'Activités de Chesnes
57, rue de Malacombe
F-38290 St. Quentin Fallavier (Lyon)
Tel.: +33-4 74 82 15 15
Fax: +33-4 74 94 10 51

Germany

GRUNDFOS GMBH
Schlüterstr. 33
40699 Erkrath
Tel.: +49-(0) 211 929 69-0
Fax: +49-(0) 211 929 69-3799
E-mail: infoservice@grundfos.de
Service in Deutschland:
kundendienst@grundfos.de

Greece

GRUNDFOS Hellas A.E.B.E.
20th km. Athinon-Markopoulou Av.
P.O. Box 71
GR-19002 Peania
Tel.: +0030-210-66 83 400
Fax: +0030-210-66 46 273

Hong Kong

GRUNDFOS Pumps (Hong Kong) Ltd.
Unit 1, Ground floor, Siu Wai industrial
Centre
29-33 Wing Hong Street & 68 King Lam
Street, Cheung Sha Wan
Kowloon
Tel.: +852-27861706 / 27861741
Fax: +852-27858664

Hungary

GRUNDFOS Hungária Kft.
Tópark u. 8
H-2045 Törökbalint
Tel.: +36-23 511 110
Fax: +36-23 511 111

India

GRUNDFOS Pumps india Private Limited
118 Old Mahabalipuram Road
Thoraiakkam
Chennai 600 097
Tel.: +91-44 2496 6800

Indonesia

PT GRUNDFOS Pompa
Graha intirub Lt. 2 & 3
Jln. Cililitan Besar No.454. Makasar,
Jakarta Timur
ID-Jakarta 13650
Tel.: +62 21-469-51900
Fax: +62 21-460 6910 / 460 6901

Ireland

GRUNDFOS (Ireland) Ltd.
Unit A, Merrywell Business Park
Ballymount Road Lower
Dublin 12
Tel.: +353-1-4089 800
Fax: +353-1-4089 830

Italy

GRUNDFOS Pompe Italia S.r.l.
Via Gran Sasso 4
I-20060 Truccazzano (Milano)
Tel.: +39-02-95838112
Fax: +39-02-95309290 / 95838461

Japan

GRUNDFOS Pumps K.K.
1-2-3, Shin-Miyakoda, Kita-ku
Hamamatsu
431-2103 Japan
Tel.: +81 53 428 4760
Fax: +81 53 428 5005

Korea

GRUNDFOS Pumps Korea Ltd.
6th Floor, Aju Building 679-5
Yeoksam-dong, Kangnam-ku, 135-916
Seoul, Korea
Tel.: +82-2-5317 600
Fax: +82-2-5633 725

Latvia

SIA GRUNDFOS Pumps Latvia
 Deglava biznesa centrs
 Augusta Deglava ielā 60
 LV-1035, Rīga,
 Tel.: + 371 714 9640, 7 149 641
 Fax: + 371 914 9646

Lithuania

GRUNDFOS Pumps UAB
 Smolensko g. 6
 LT-03201 Vilnius
 Tel.: + 370 52 395 430
 Fax: + 370 52 395 431

Malaysia

GRUNDFOS Pumps Sdn. Bhd.
 7 Jalan Peguam U1/25
 Glenmarie Industrial Park
 40150 Shah Alam, Selangor
 Tel.: +60-3-5569 2922
 Fax: +60-3-5569 2866

Mexico

Bombas GRUNDFOS de México
 S.A. de C.V.
 Boulevard TLC No. 15
 Parque industrial Stiva Aeropuerto
 Apodaca, N.L. 66600
 Tel.: +52-81-8144 4000
 Fax: +52-81-8144 4010

Netherlands

GRUNDFOS Netherlands
 Veluwezoom 35
 1326 AE Almere
 Postbus 22015
 1302 CA ALMERE
 Tel.: +31-88-478 6336
 Fax: +31-88-478 6332
 E-mail: info_gnl@grundfos.com

New Zealand

GRUNDFOS Pumps NZ Ltd.
 17 Beatrice Tinsley Crescent
 North Harbour Industrial Estate
 Albany, Auckland
 Tel.: +64-9-415 3240
 Fax: +64-9-415 3250

Norway

GRUNDFOS Pumper A/S
 Strømsveien 344
 Postboks 235, Leirdal
 N-1011 Oslo
 Tel.: +47-22 90 47 00
 Fax: +47-22 32 21 50

Poland

GRUNDFOS Pompy Sp. z o.o.
 ul. Klonowa 23
 Baranowo k. Poznania
 PL-62-081 Przeźmierowo
 Tel.: (+48-61) 650 13 00
 Fax: (+48-61) 650 13 50

Portugal

Bombas GRUNDFOS Portugal, S.A.
 Rua Calvet de Magalhães, 241
 Apartado 1079
 P-2770-153 Paço de Arcos
 Tel.: +351-21-440 76 00
 Fax: +351-21-440 76 90

Romania

GRUNDFOS Pompe România SRL
 S-PARK BUSINESS CENTER, Clădirea
 A2, etaj 2
 Str. Tipografilor, Nr. 11-15, Sector 1, Cod
 013714
 Bucuresti, Romania
 Tel.: 004 021 2004 100
 E-mail: romania@grundfos.ro

Russia

ООО Грундфос Россия
 ул. Школьная, 39-41
 Москва, RU-109544, Russia
 Тел. (+7) 495 564-88-00 (495) 737-30-00
 Факс (+7) 495 564 8811
 E-mail grundfos.moscow@grundfos.com

Serbia

Grundfos Srbija d.o.o.
 Omladinskih brigada 90b
 11070 Novi Beograd
 Tel.: +381 11 2258 740
 Fax: +381 11 2281 769
 www.rs.grundfos.com

Singapore

GRUNDFOS (Singapore) Pte. Ltd.
 25 Jalan Tukang
 Singapore 619264
 Tel.: +65-6681 9688
 Fax: +65-6681 9689

Slovakia

GRUNDFOS s.r.o.
 Prievozská 4D 821 09 BRATISLAVA
 Tel.: +421 2 5020 1426
 sk.grundfos.com

Slovenia

GRUNDFOS LJUBLJANA, d.o.o.
 Leskoškova 9e, 1122 Ljubljana
 Tel.: +386 (0) 1 568 06 10
 Fax: +386 (0)1 568 06 19
 E-mail: tehnika-si@grundfos.com

South Africa

GRUNDFOS (PTY) LTD
 16 Lascelles Drive, Meadowbrook Estate
 1609 Germiston, Johannesburg
 Tel.: (+27) 10 248 6000
 Fax: (+27) 10 248 6002
 E-mail: lgradidge@grundfos.com

Spain

Bombas GRUNDFOS España S.A.
 Camino de la Fuentecilla, s/n
 E-28110 Algete (Madrid)
 Tel.: +34-91-848 8800
 Fax: +34-91-628 0465

Sweden

GRUNDFOS AB
 Box 333 (Lunnagårdsgatan 6)
 431 24 Mölndal
 Tel.: +46 31 332 23 000
 Fax: +46 31 331 94 60

Switzerland

GRUNDFOS Pumpen AG
 Bruggacherstrasse 10
 CH-8117 Fällanden/ZH
 Tel.: +41-44-806 8111
 Fax: +41-44-806 8115

Taiwan

GRUNDFOS Pumps (Taiwan) Ltd.
 7 Floor, 219 Min-Chuan Road
 Taichung, Taiwan, R.O.C.
 Tel.: +886-4-2305 0868
 Fax: +886-4-2305 0878

Thailand

GRUNDFOS (Thailand) Ltd.
 92 Chalome Phrakiat Rama 9 Road
 Dokmai, Pravej, Bangkok 10250
 Tel.: +66-2-725 8999
 Fax: +66-2-725 8998

Turkey

GRUNDFOS POMPA San. ve Tic. Ltd.
 Sti.
 Gebze Organize Sanayi Bölgesi
 Ihsan dede Caddesi
 2. yol 200. Sokak No, 204
 41490 Gebze/ Kocaeli
 Tel.: +90 - 262-679 7979
 Fax: +90 - 262-679 7905
 E-mail: satis@grundfos.com

Ukraine

ТОВ "ГРУНДФОС УКРАЇНА"
 Бізнес Центр Європа
 Столицне шосе, 103
 м. Київ, 03131, Україна
 Tel.: (+38 044) 237 04 00
 Fax: (+38 044) 237 04 01
 E-mail: ukraine@grundfos.com

United Arab Emirates

GRUNDFOS Gulf Distribution
 P.O. Box 16768
 Jebel Ali Free Zone, Dubai
 Tel.: +971 4 8815 166
 Fax: +971 4 8815 136

United Kingdom

GRUNDFOS Pumps Ltd.
 Grovebury Road
 Leighton Buzzard/Beds. LU7 4TL
 Tel.: +44-1525-850000
 Fax: +44-1525-850011

U.S.A.

Global Headquarters for WU
 856 Koomey Road
 Brookshire, Texas 77423 USA
 Phone: +1-630-236-5500

Uzbekistan

Grundfos Tashkent, Uzbekistan
 The Representative Office of Grundfos
 Kazakhstan in Uzbekistan
 38a, Oybek street, Tashkent
 Tel.: (+998) 71 150 3290 / 71 150 3291
 Fax: (+998) 71 150 3292

96894217 10.2022

ECM: 1354184

www.grundfos.com

GRUNDFOS 

Trademarks displayed in this material, including but not limited to Grundfos and the Grundfos logo, are registered trademarks owned by The Grundfos Group. © 2022 Grundfos Holding A/S, all rights reserved.